



ACCESSORIES GUIDELINE



E SERIES

Accessories	
B-E6	U-bracket for E6. Black
B-E8	U-bracket for E8. Black
B-E10+LPE10	U-bracket for E10 + LPE10 adapter plate. Black
B-E12+LPE12	U-bracket for E12 + LPE12 adapter plate. Black
B-E15+LPE15	U-bracket for E15 + LPE15 adapter plate. Black
HG-1	Universal U-bracket for E10-E12-E15-V14CX. Black
HG-2	Universal Heavy Duty Ceiling or walls mount Bracket for E10 – E12 – E15-V14CX. Black
TSC-350	Wall Mount for speaker with 35mm flange mounting and tube with ø35mm. Black

IBZA ONE SERIES

Accessories	
TUB-lbza6	U-bracket for IBZA6. Black
TUB-lbza6+	U-bracket for IBZA6Plus and IBZA6HZ. Black
TUB-lbza8	U-bracket for IBZA8. Black
TUB-lbza10 + LPI10	U-bracket for IBZA10 + LPI10 adapter plate. Black
TUB-lbza12	U-bracket for IBZA12. Black
TUB-lbza15 + LPI15	U-bracket for IBZA15 + LPI15 adapter plate. Black
TSC-350	Wall Mount for speaker with 35mm flange mounting and tube with ø35mm. Black
TSC-503	Wall Bracket for IBZA6Plus, IBZA 8. Black
TAF2-l6	Horizontal/Vertical Array frame (2 speakers) from lbza6, lbza6+ and lbza6HZ. Black
TAF3-l6	Horizontal/Vertical Array frame (3 speakers) from lbza6, lbza6+ and lbza6HZ. Black
TAF2-l8	Horizontal/Vertical Array frame (2 speakers) from lbza8. Black
TAF3-l8	Horizontal/Vertical Array frame (3 speakers) from lbza8. Black
TAF2-l10	Horizontal/Vertical Array frame (2 speakers) from lbza10. Black
TAF3-l10	Horizontal/Vertical Array frame (3 speakers) from lbza10. Black
TAF2-l12	Horizontal/Vertical Array frame (2 speakers) from lbza12. Black
TAF3-l12	Horizontal/Vertical Array frame (3 speakers) from lbza12. Black
TAF2-l15	Horizontal Array frame (2 speakers) from lbza15. Black

[BACK TO TOP](#)



V SERIES

Accessories	
TUB-V10 +LPV10	U-bracket for V10 + LPV10 adapter plate. Black
TUB-V12 +LPV12	U-bracket for V12 + LPV12 adapter plate. Black
TUB-V15 +LPV15	U-bracket for V15 + LPV15 adapter plate. Black
TSC-350	Wall Mount for speaker with 35mm flange mounting and tube with ø35mm.
TUB-V14	Adjustable U-bracket for V14CX. Black
TSTA-V14	Speaker Tilt angular adapter used in conjunction with TUB-V14 for V14CX. Black
TPMS-UB	Pole mount socket from TUB-V14 to use in V14CX Speaker
HG-1	Universal U-bracket for E10-E12-E15-V14CX. Black
HG-2	Universal Heavy Duty Ceiling or walls mount Bracket for E10 – E12 – E15-V14CX. Black

ARRAY SERIES

Accessories	
THV208-118M	Multipurpose Grid. Allow up to 16 CLa208 to be flown. Also support groundstacking of CLa208
miniTHV208	Mini Top Grid. Allow up to 6 CLa208 to be flown.
TTF208-21-18VR	Transition Frame. Frame transition from CLa21/SW-18VR to CLa208. One frame included
TSM-208	Pole Mount Bracket. Stand adapter allows up to 3 CLa208 to be mounted onto a 35mm (3/8") diameter pole
TWD-208	Wooden dolly to transport up to 4 CLa208. Polyurea coating and four 100mm wheels with brakes
THV-21/18	Multipurpose Grid. Allow up to 18 CLa21 to be flown. Compatible with SW-18VR for flown configurations. Also support groundstacking of CLa21 and SW-18VR
miniTHV21	Mini Top Grid. Allow up to 6 CLa21 to be flown.
CLa21-ANGEXT	Attaching to subwoofer or THV21/18VR grid allows pitch angle adjustment of 11° and 15°
PBK-CLa21	Pull Back Bar. Allows to CLa21 array a third-point suspension to build a structure more extreme downward angle
TWD-21	Wooden dolly to transport up to 4 CLa21. Polyurea coating and four 100mm wheels with brakes
THV-312	Top Grid. Allow up to 24 LA312 to be flown. Also support groundstacking of LA312
TWB-312	Wooden Dolly Board from LA312
312 wheel	Wheel from TWB-312. Optional wheels are available from TWB-312

[BACK TO TOP](#)



SUB SERIES

Accessories	
Kit-Wheels-100	Optional 100mm wheels are available from SW-215, SW-118M, SW118-H, SW-218EB, SW-221
KitW-218V	Caster kit from SW-218V with 100mm wheels and metal adapter
TRK-118M	Rigging hardware kit from SW-118M/SW-118MA/SW-118MPCC-3. Only fixed in factory
THV208-118M	Multipurpose Grid. Allow up to 10 SW-118M to be flown. Also support groundstacking of SW-118M
TWD-118	Wooden transport dolly. Will transport up to three SW118M. Polyurea coating and four 100mm wheels with brakes
TRK-18VR	Rigging hardware kit from SW-18VR/SW-18VRA/SW-18VPCC-3
TWD-18VR	Wooden transport dolly. Will transport up to three SW-18VR. Polyurea coating and four 100mm wheels with brakes
PM20	Plate with M20 thread on top panel from SW-18VR/SW-118M/SW12-Minibus
TRK-218EB	Rigging hardware kit from SW-218EB
THV-218EB	Top Grid. Allow up to 10 SW-218EB
TWD-218EB	Wooden transport dolly. Will transport up to three SW218EB. Polyurea coating and four 100mm wheels with brakes
TCF-218EB	Caster Frame to transport up four SW218EB. Four 125mm wheels with brakes
TWB-218EB	Wooden Front Wheel board. It is designed for use with SW218EB subwoofer and allows for easy setup and transport. Polyurea coating and four 100mm wheels with brakes.

ALIS SERIES

Accessories	
THV-ALIS 12	Pickup Array Plate for the ALIS12. Kit includes 1 plate and hardware. Allow hanging up to three units ALIS12 arrayed horizontally from a single pick-up point. Two kits are required for arrays of 4, 5 and 6 units
THF-ALIS12	Array frame for rigging cluster of 2 units ALIS12 cabinets in fixed installation
TTG-ALIS12	Top Rigging Bar element. Allow up to 6 ALIS12 to be flown vertically
TALBX12	Coupling bar (provided with a couple of quick pin-lock) for physical attachment of adjacent ALIS12 enclosures in both vertical and horizontal orientation. A couple of this item is provided with each ALIS12
TSM-ALIS12	Pole Mount Bracket. Stand adapter allows to ALIS12 to be mounted onto a 35mm (3/8") diameter pole. It must be ensured that the speaker stand is capable of support the weight of assembly.
THV-ALIS 15	Pickup Array Plate for the ALIS15. Kit includes 1 plate and hardware. Allow hanging up to three units ALIS15 arrayed horizontally from a single pick-up point. Two kits are required for arrays of 4, 5 and 6 units
THF-ALIS15	Array frame for rigging cluster of 2 units ALIS15 cabinets in fixed installation
TTG-ALIS15	Top Rigging Bar element. Allow up to 6 ALIS15 to be flown vertically
TALBX15	Coupling bar (provided with a couple of quick pin-lock) for physical attachment of adjacent ALIS12 enclosures in both vertical and horizontal orientation. A couple of this item is provided with each ALIS15
TWD-ALIS12	Removable front wooden transport dolly board for moving the enclosure. Will transport one ALIS12. Polyurea coating and four 100mm wheels with two brakes
TWD-ALIS15	Removable front wooden transport dolly board for moving the enclosure. Will transport one ALIS15. Polyurea coating and four 100mm wheels with two brakes
TecB004	Load Spreader Bar. Suspends two THV-ALIS12 or THV-ALIS15 pickup plates from a single point for hanging arrays of up six ALIS12s or ALIS15s. May also be used to suspend AMS12/AMS15 from a single point

[BACK TO TOP](#)



ELECTRONIC & TOURING RACKS

Accessories	
PCCINET Rack Kit	PCCINET Accessory 19" Rack Kit for PCCINet Interfaces
TSK-TS Rear Support Kit	2u Rear Rack Support kit for T-Series Amplifier
T-Rack3U	Modular 19"/3 HU Standard Pro-Rack, flexible front and rear cover, two collapsible handles. 8,4kg.
T-Rack6U	Modular 19"/6 HU, Pro-Rack Side Sliding door (Front and Rear). Made of black PVC. 19,7kg
T-Rack10U	Modular 19"/10 HU, Pro-Rack Side Sliding door (Front and Rear). Made of black PVC 35,5kg
T-SRack3	3HU Quick shut Touring rack assembly, 1 x T-Rack3U, equipped with 1 x TPB1U Patchbay
T-SRack6	6HU Quick shut Touring rack assembly, 1 x T-Rack6U, equipped with 1 x TPB2U Patchbay, 1 x TPD32 (rear mounted), 2 x Cat6cable, signal wiring for 2 x T-Series amplifier, 2 x 0,5m Power cable assembled with 2 x PowerCON®32, 1 x TP-Link® Switch 8-Ports.
T-SRack10	10HU Quick shut Touring rack assembly, equipped with 1 x TPB2U Patchbay, 1 x TPD32,), 3 x Cat6cable, signal wiring for 3 x T-Series amplifier, 3 x 0,5m Power cable assembled with 2 x PowerCON®32, 1 x TP-Link® Switch 8-Ports.
TRBP1	hh
TPB1U	19"/1HU connection panel front-mounted for the connection of one T-Series Amplifier with 2 Analog In/link ports, 2 single Analog In port, one AES3 In/Link port, 1 x Ethernet port, 4 x SpeakOn® NL4 amp outputs and 1 x SpeakOn® NL8 Multi-Out and 1 x PowerCon® 32A
TPB2U	19"/2HU connection panel front-mounted for the connection of up to three T-Series Amplifier with 2 Analog In/link port, one AES3 In/Link port, 1 x Ethernet port, 6 x SpeakOn® NL4 amp outputs and 3 x SpeakOn® NL8 Multi-Out
TPD32	Power Distributor in 19" housing/ 2 HU – 32A 3phase input via 1,5m power cord and plug, 1 x CEE device sockets 32A on the front. Protection via C16A circuit breakers. Control light per phase. 3 x Shuko connectors on the front, 3 x Shuko connectors on the rear, 3 x PowerCon® 32 on the rear.

SPEAKER CABLE

Accessories	
TCQ44-010	Loudspeaker cable 4 x 4mm ² assembled with Neutrik NL4FC, length 1m
TCQ44-050	Loudspeaker cable 4 x 4mm ² assembled with Neutrik NL4FC, length 5m
TCQ44-100	Loudspeaker cable 4 x 4mm ² assembled with Neutrik NL4FC, length 10m
TCQ44-250	Loudspeaker cable 4 x 4mm ² assembled with Neutrik NL4FC, length 25m
TCQ82-010	Loudspeaker cable 8 x 2,5mm ² assembled with Neutrik NL8FC, length 10m
TYSP-NL4	Loudspeaker Y-Split set cable In NLT4MX, out 2 x NL4FC; cable 2 x 4mm ² length 1m & 1,5m
TYSP-NL8	Loudspeaker Y-Split set cable In NLT8MX, out 4 x NL4FC; cable 2 x 2,5mm ² length 1m, 1,5m, 2m, 2,5m

[BACK TO TOP](#)



COVER & CASES

Accessories	
FUND-EXX	Protective cover professional version for E-Series made of black polyester with inner foam
FUND-IXX	Protective cover professional version for Ibza-Series made of black polyester with inner foam
FUND-VXX	Protective cover professional version for V-Series made of black polyester with inner foam
FUND-V14CX	Protective cover professional version for V14CX made of black polyester with inner foam
FUND-V14CX-PRO	Protective cover professional version made of Hi-Resistancy Nylon with inner foam
FUND4-CLa208	Protective soft cover professional version made of black polyester with inner foam to cover four stacked CLa208 cabinets, when mounted on TWD-208
FUND3-CLa21	Protective soft cover professional version made of black polyester with inner foam to cover three stacked CLa21 cabinets, when mounted on TWD-21
FUND4-CLa21	Protective soft cover professional version made of black polyester with inner foam to cover four stacked CLa21 cabinets, when mounted on TWD-21
FUND-118M	Protective soft cover professional version made of black polyester with inner foam to cover one SW-118M
FUND3-118M	Three-High Protective soft cover professional version made of black polyester with inner foam to cover three stacked SW-118M cabinets with or without rigging when mounted on TWD-118
FUND2-18VR	Two-High Protective soft cover professional version made of black polyester with inner foam to cover two stacked SW-18VR cabinets with or without rigging when mounted on TWD-18VR
FUND3-18VR	Three-High Protective soft cover professional version made of black polyester with inner foam to cover three stacked SW-18VR cabinets with or without rigging when mounted on TWD-18VR
FUND-218V	Protective soft cover professional version made of black polyester with inner foam to cover one SW-218V
FUND-218EB	Protective soft cover professional version made of black polyester with inner foam to cover one SW-218EB
FUND2-218EB	Two-High Protective soft cover professional version made of black polyester with inner foam to cover two stacked SW-218EB cabinets with or without rigging when mounted on TWD-218EB/TCF-218EB
FUND3-218EB	Three-High Protective soft cover professional version made of black polyester with inner foam to cover three stacked SW-218EB cabinets with or without rigging when mounted on TWD-218EB/TCF-218EB
FUND-221	Protective soft cover professional version made of black polyester with inner foam to cover one SW-221
FUND-ALIS12	Protective soft cover professional version made of black polyester with inner foam to cover one ALIS12
FUND-ALIS15	Protective soft cover professional version made of black polyester with inner foam to cover one SW-221
FC-V10	Flight-case for 2 x V10, made of brown laminated 9mm birch multiplex, high quality felt lining, four 100mm wheels, thereof two with brakes, four big collapsible handles, 1 Label tour. Pro version is available under request.
FC-V12	Flight-case for 2 x V12, made of brown laminated 9mm birch multiplex, high quality felt lining, four 100mm wheels, thereof two with brakes, four big collapsible handles, 1 Label tour. Pro version is available under request.
FC-V15	Flight-case for 2 x V15, made of brown laminated 9mm birch multiplex, high quality felt lining, four 100mm wheels, thereof two with brakes, four big collapsible handles, 1 Label tour. Pro version is available under request.
FC-V14CX-Pro	Flight-case for 2 x V14CX, professional version made of black PVC laminated 9mm birch multiplex, high quality felt lining, four 100mm wheels, thereof two with brakes, six big collapsible handles, 1 Dish for Label tour. Standard version available under request.
FC-208	Flight-case for 4 x CLa208, professional version made of black PVC laminated 9mm birch multiplex, high quality felt lining, four 100mm wheels, thereof two with brakes, eight big collapsible handles, 1 Label tour. Standard version available under request.
FC-CLa21	Flight-case for 4 x CLa21, professional version made of black PVC laminated 9mm birch multiplex, high quality felt lining, four 100mm wheels, thereof two with brakes, eight big collapsible handles, 1 Dish for Label tour. Standard version available under request.

[BACK TO TOP](#)

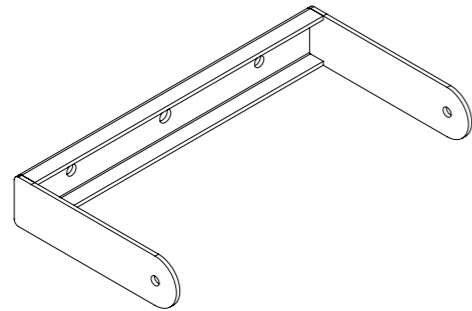


FC-miniTHV208	Flight-case for 2 x miniTHV-208, professional version made of black PVC laminated 9mm birch multiplex, high quality felt lining, four 100mm wheels, there of two with brakes, six medium collapsible handles, 1 Dish for Label tour. Standard version available under request.
FC-THV208	Flight-case for 2 x THV-208, professional version made of black PVC laminated 9mm birch multiplex, high quality felt lining, four 100mm wheels, there of two with brakes, six big collapsible handles, 1 Dish for Label tour. Standard version available under request.
FC-miniTHV21	Flight-case for 2 x miniTHV-21, professional version made of black PVC laminated 9mm birch multiplex, high quality felt lining, four 100mm wheels, there of two with brakes, six medium collapsible handles, 1 Dish for Label tour. Standard version available under request.
FC-THV21	Flight-case for 2 x THV-21, professional version made of black PVC laminated 9mm birch multiplex, high quality felt lining, four 100mm wheels, there of two with brakes, six big collapsible handles, 1 Dish for Label tour. Standard version available under request.

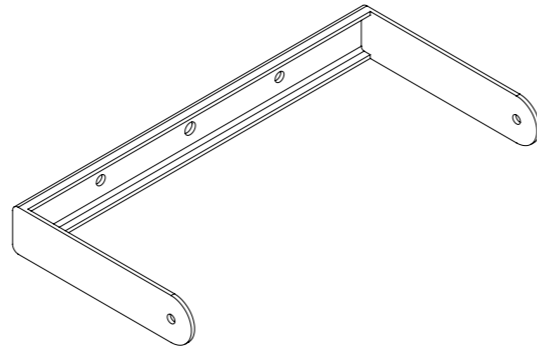
[BACK TO TOP](#)



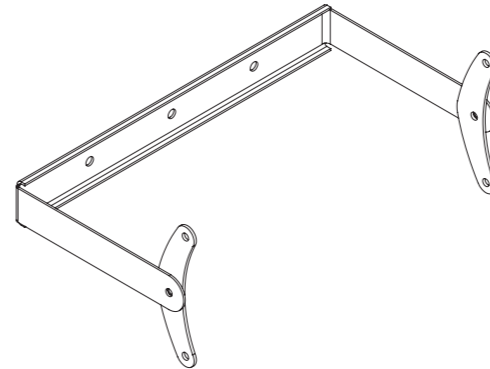
**E
S
E
R
I
E
S**



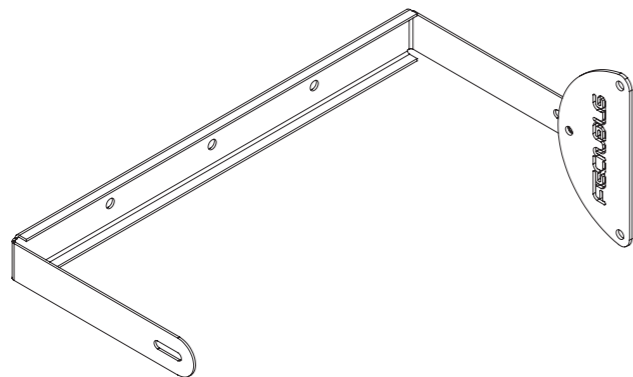
B-E6
U-Bracket for E6



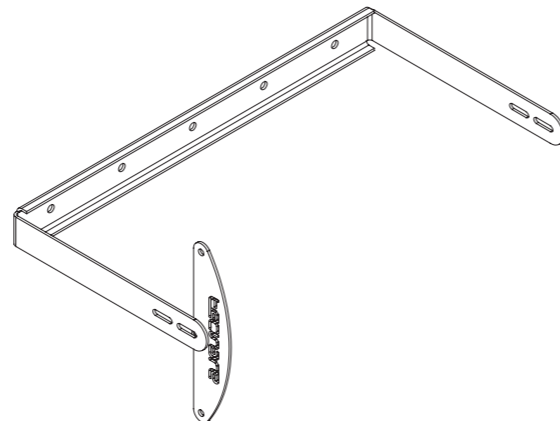
B-E8
U-Bracket for E8



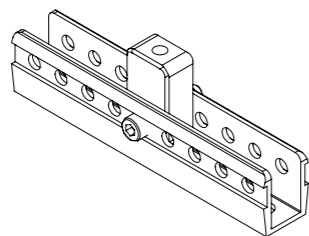
B-E10+LPE10
U-Bracket for E10 + LPE10 adapter plate



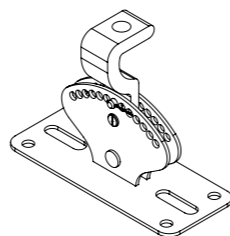
B-E12+LPE12
U-Bracket for E12 + LPE12 adapter plate.
Black



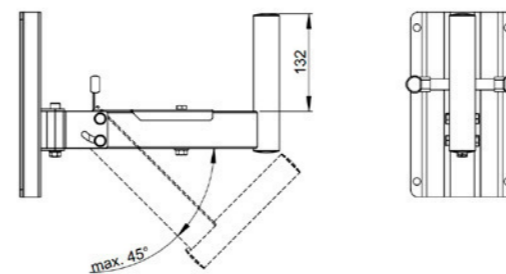
B-E15+LPE15
U-Bracket for E15 + LPE15 adapter plate.
Black



HG-1
Universal U-Bracket for E10-E12-E15-V14CX.
Black



HG-2
Universal Heavy Duty Ceiling or walls mount
Bracket for E10 - E12 - E15-V14CX. Black

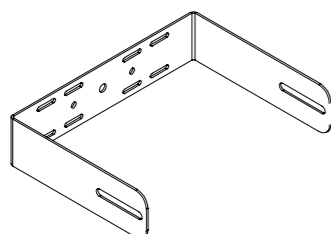


TSC-350
Wall Mount for speaker with 35mm flange
mounting and tube with ø35mm. Black

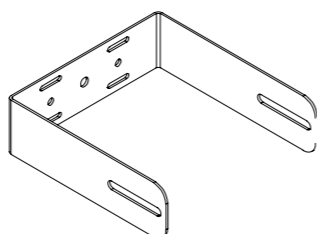


**I
B
Z
A

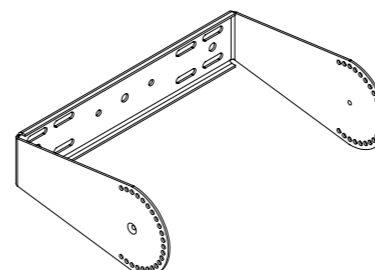
S
E
R
I
E
S**



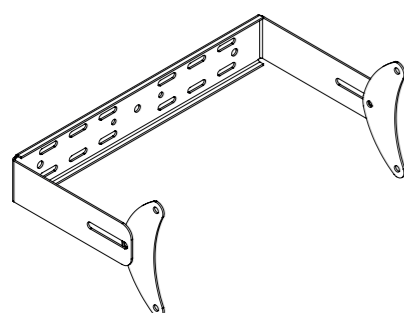
TUB-i6
U-bracket for IBZA6. Black



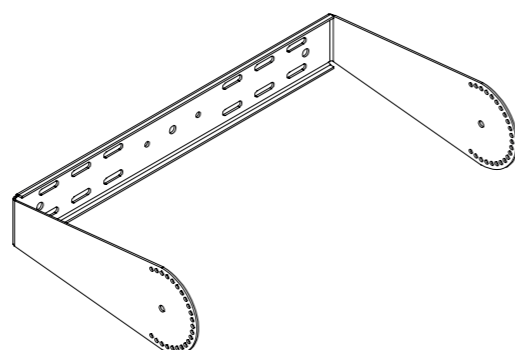
TUB-i6+
U-Bracket for IBZA6-Plus. Black



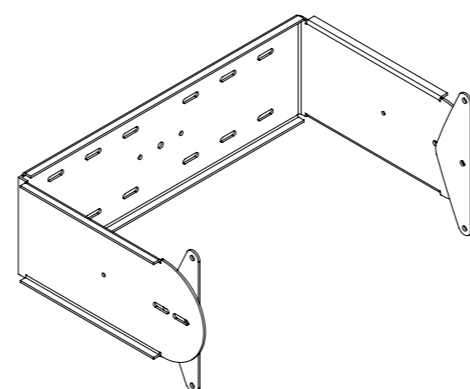
TUB-i8
U-Bracket for IBZA8. Black



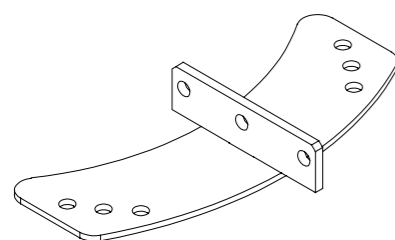
TUB-10 + LPI10
U-bracket for IBZA10 + LPEI10 adapter plate.
Black



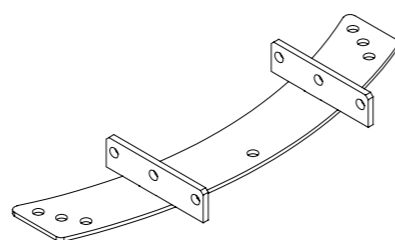
TUB-i12
U-Bracket for IBZA12. Black



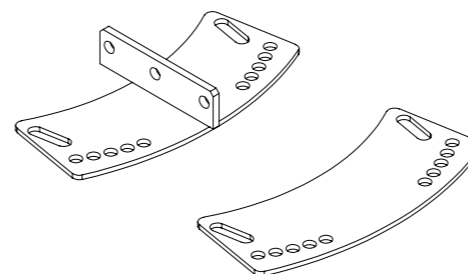
TUB-i15 + LPI15
U-Bracket for IBZA15 + LPI15 adapter plate.
Black



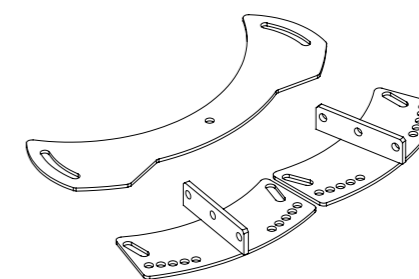
TAF2-i6
Horizontal/Vertical Array frame (2 speakers)
from Ibza6, lbza6+ and lbza6HZ. Black



TAF3-i6
Horizontal/Vertical Array frame (3 speakers)
from Ibza6, lbza6+ and lbza6HZ. Black



TAF2-i8
Horizontal/Vertical Array frame (2 speakers)
from lbza8. Black

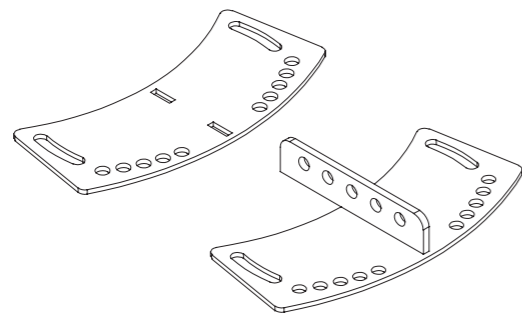


TAF3-i8
Horizontal/Vertical Array frame (3 speakers)
from lbza8. Black

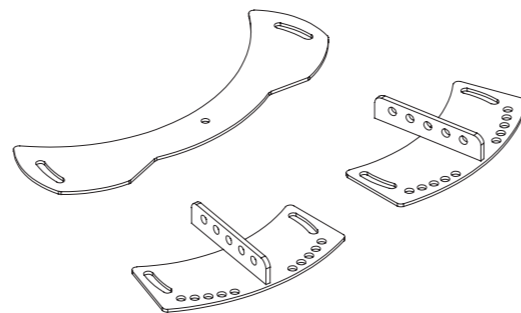


**I
B
Z
A

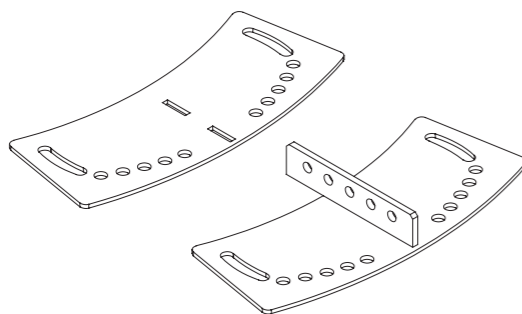
S
E
R
I
E
S**



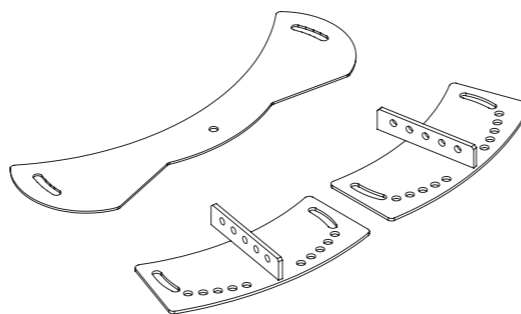
TAF2-I10
Horizontal/Vertical Array frame (2 speakers)
from Ibza10. Black



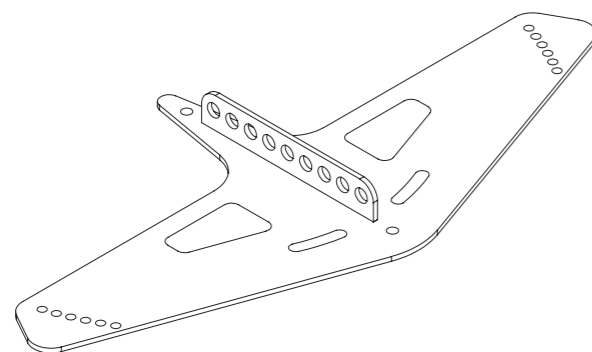
TAF3-I10
Horizontal/Vertical Array frame (3 speakers)
from Ibza10. Black



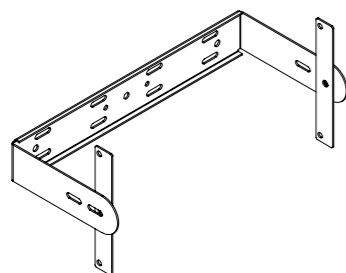
TAF2-I12
Horizontal/Vertical Array frame (2 speakers)
from Ibza12. Black



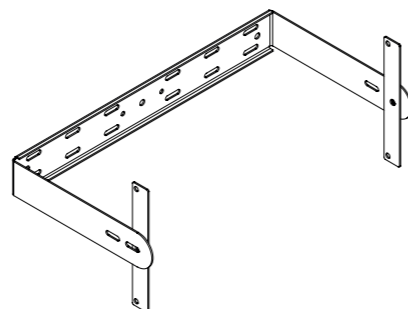
TAF3-I12
Horizontal/Vertical Array frame (3 speakers)
from Ibza12. Black



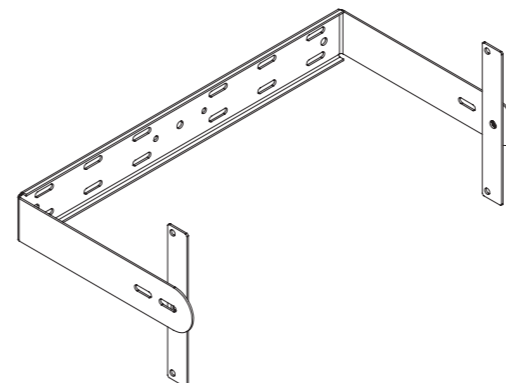
TAF2-I15
Horizontal Array frame (2 speakers) from
Ibza15. Black



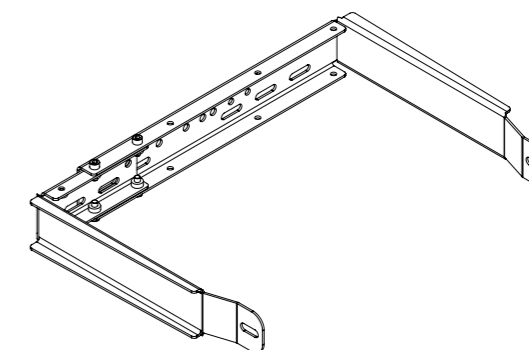
TUB-V10 + LPV10
U-bracket for V10 + LPV10 adapter plate.
Black



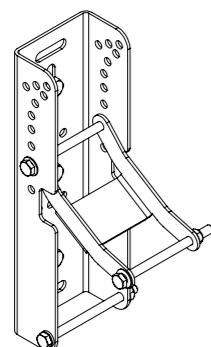
TUB-V12 + LPV12
U-Bracket for V12 + LPV12 adapter plate.
Black



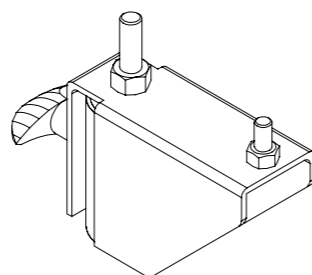
TUB-V15 + LPV15
U-Bracket for V15 + LPV15 adapter plate.
Black



TUB-V14
Adjustable U-Bracket for V14CX. Black



TSTA-V14
Speaker Tilt angular adapter used in conjunction with TUB-V14 for V14CX. Black

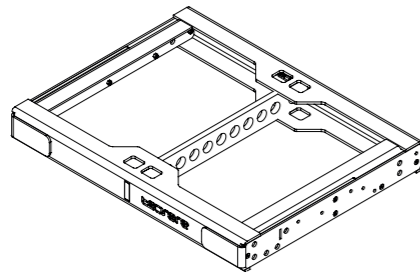


TPMS-UB
Pole Mount socket from TUB-V14 to use in V14CX. Black

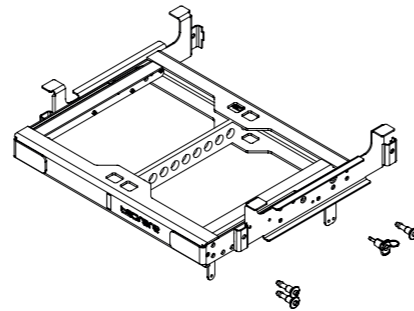
**V
S
E
R
I
E
S**



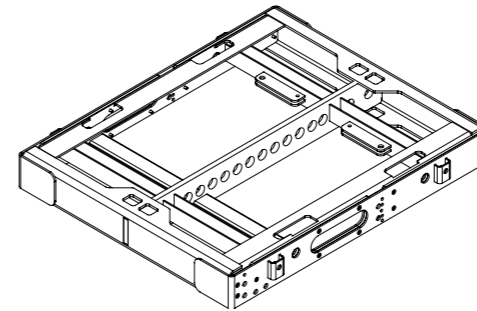
ARRAY SERIES



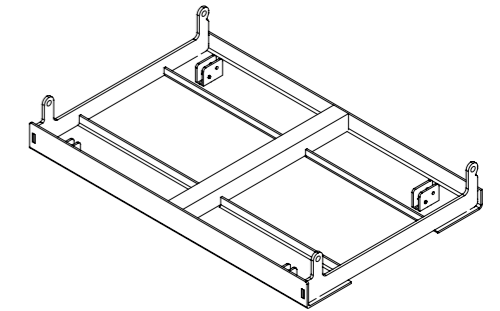
mini-THV208
Mini Top Grid. Allow up to 6 CLa208 to be flown. Black



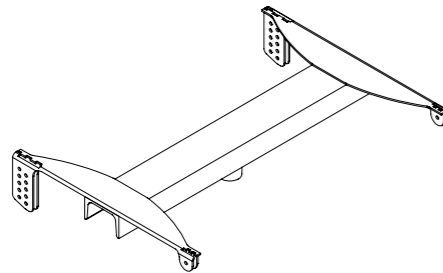
mini-THV208 + Extension Bar
Mini Top Grid + Extension Bar. Allow up to fly 6 CLa208 and 2 SW118M or 4 SW118M. Black



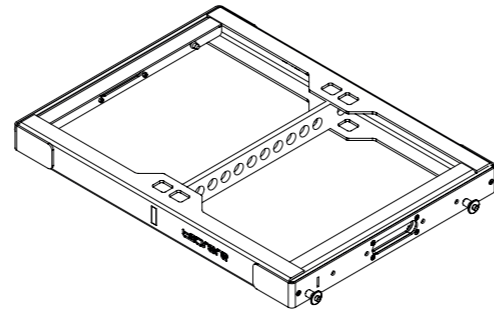
THV208
Multipurpose Grid. Allow up to 16 CLa208 to be flown. Also support groundstacking of CLa208. Black



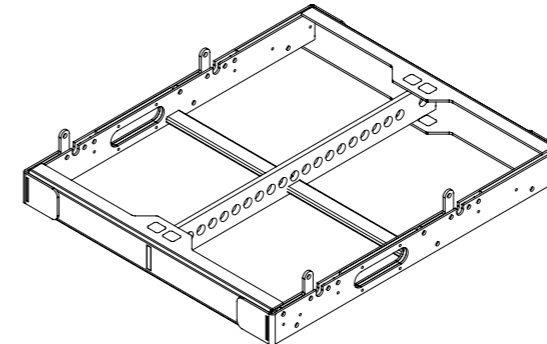
TTF-208-21/18VR
Frame transition from CLa21/SW-18VR to CLa208. Black



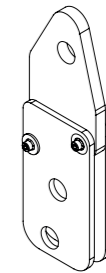
TSM-208
Pole Mount Bracket. Stand adapter allows up to 3 CLa208 to be mounted onto a 35mm (3/8") diameter pole. Black



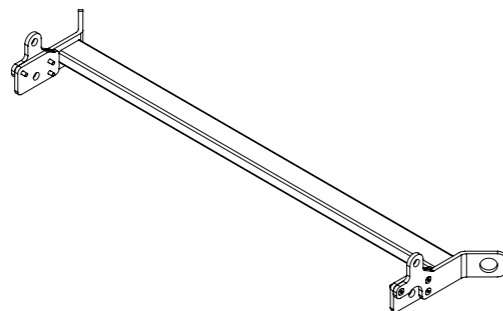
mini-THV21-18VR
Mini Top Grid. Allow up to 6 CLa21 to be flown. Black



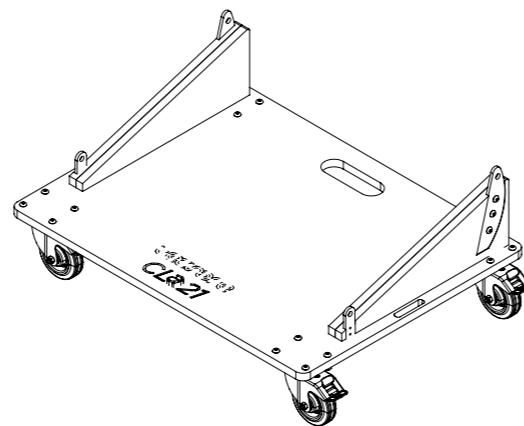
THV-21/18VR
Multipurpose Grid. Allow up to 18 CLa21 to be flown. Compatible with SW-18VR. Also support groundstacking of CLa21 and SW-18VR



CLa21-ANGEXT
Attaching to subwoofer or THV21/18VR grid allows pitch angle adjustment of 11° and 15°



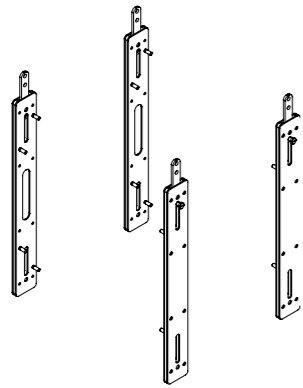
PBK-CLa21
Pull Back Bar. Rigging accessory for CLa21 enclosure pullback configuration



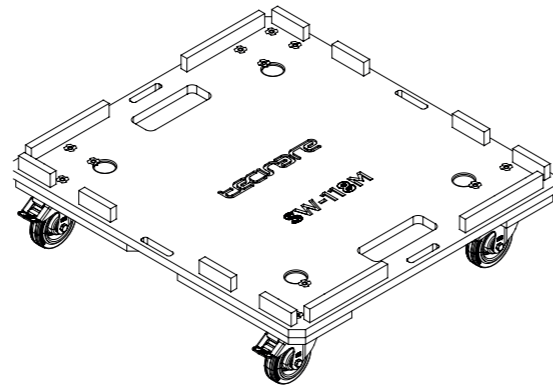
TWD-21
Wooden dolly to transport up to 4 CLa21. Polyurea coating and four 100mm wheels



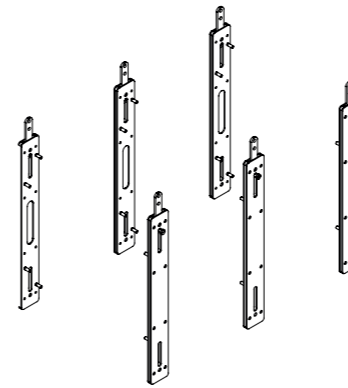
SUBSERIES



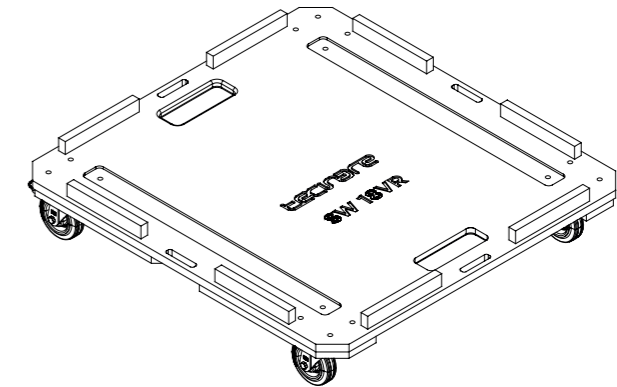
TRK-118M
Rigging hardware kit from SW-118M. Black



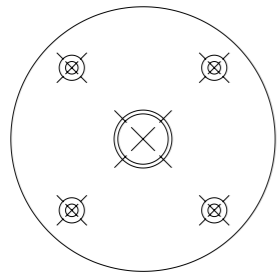
TWD-118M
Wooden transport dolly. Will transport up to three SW118M. Polyurea coating and four 100mm wheels with brakes



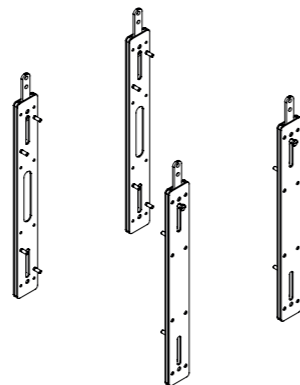
TRK-18VR
Rigging hardware kit from SW-18VR. Black



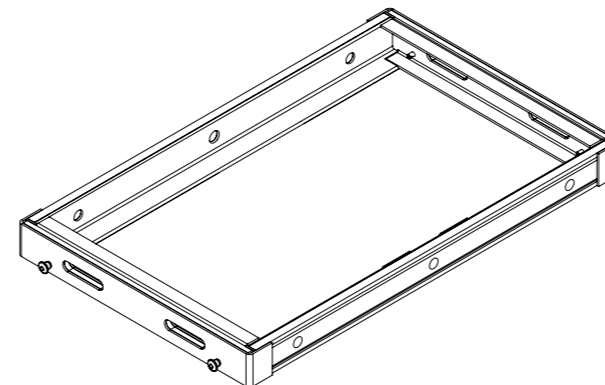
TWD-18VR
Wooden transport dolly. Will transport up to three SW-18VR. Polyurea coating and four 100mm wheels with brakes



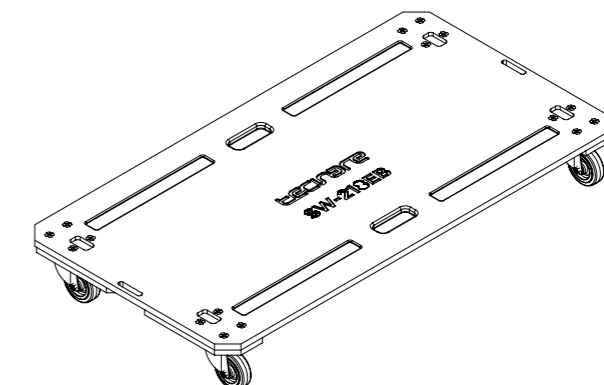
PM20
Plate with M20 thread on top panel from SW-18VR/SW-118M/SW12-Minisub



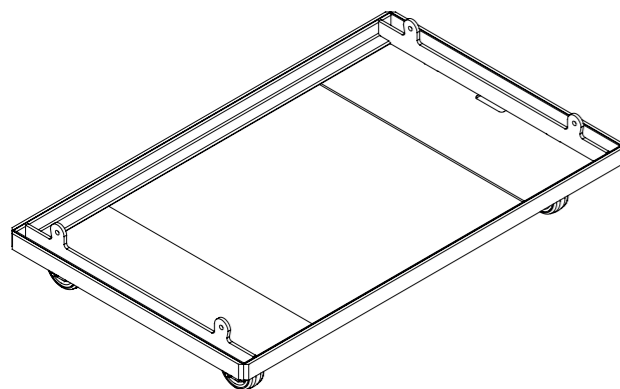
TRK-218EB
Rigging hardware kit from SW-218EB. Black



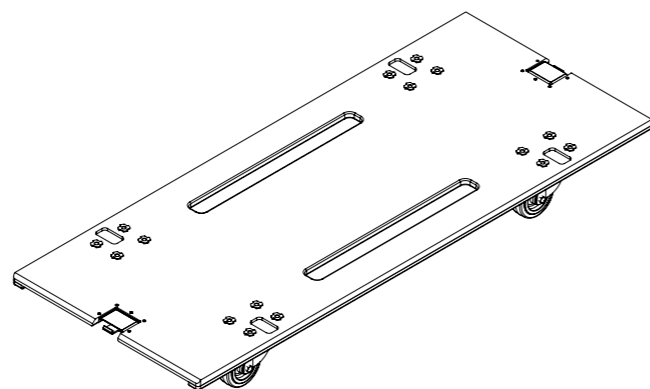
THV-218EB
Top Grid. Allow up to 10 SW-218EB. Black



TWD-218EB
Wooden transport dolly. Will transport up to three SW218EB. Polyurea coating and four 100mm wheels with brakes. Black



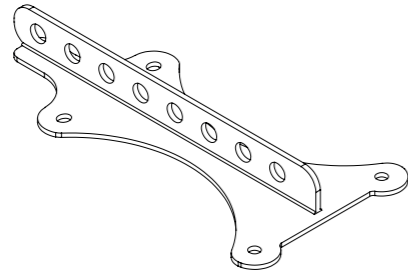
TCF-218EB
Caster Frame to transport up four SW218EB. Four 125mm wheels with brakes. Black



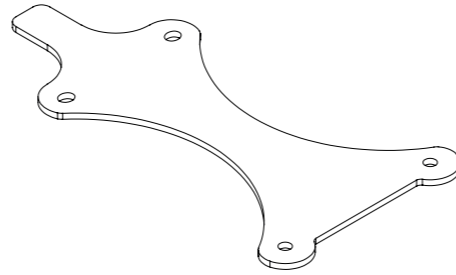
TWB-218EB
Front Wheel board for use with SW218EB subwoofer. Polyurea coating and 4 x 100mm wheels



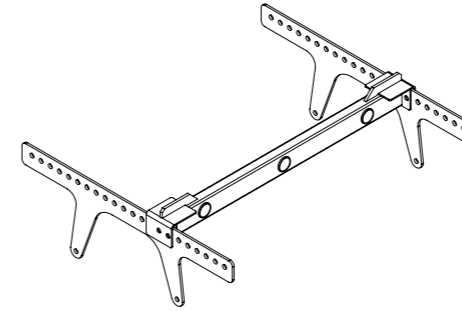
**ALIS
SERIES**



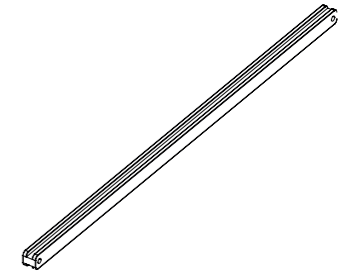
THV-ALIS12
Pickup Array Plate for the ALIS12. Allow hanging up to three units ALIS12 arrayed horizontally from a single pick-up point



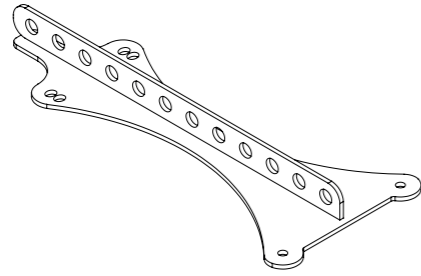
THF-ALIS12
Array frame for rigging cluster of 2 units ALIS12 cabinets in fixed installation



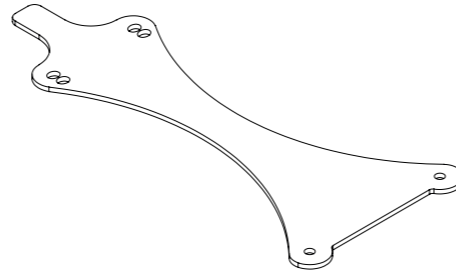
TTG-ALIS12
Top Rigging Bar element. Allow up to 6 ALIS12 to be flown vertically



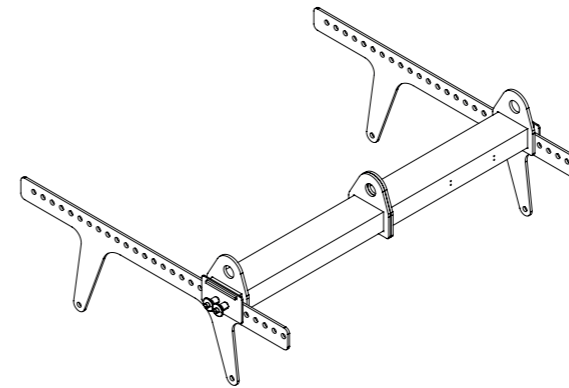
TALBX12
Coupling bar for physical attachment of adjacent ALIS12 enclosures



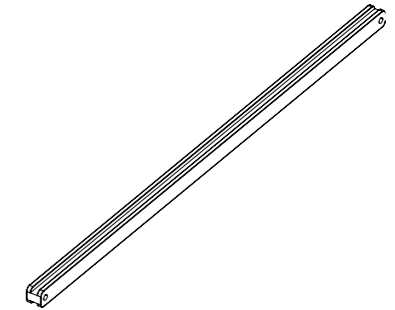
THV-ALIS15
Pickup Array Plate for the ALIS15. Allow hanging up to three units ALIS15 arrayed horizontally from a single pick-up point



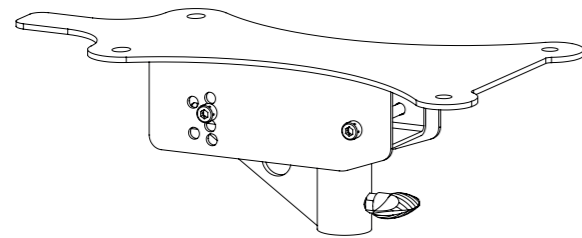
THF-ALIS15
Array frame for rigging cluster of 2 units ALIS15 cabinets in fixed installation



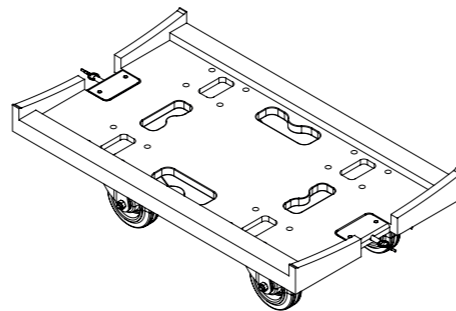
TTG-ALIS15
Top Rigging Bar element. Allow up to 6 ALIS15 to be flown vertically



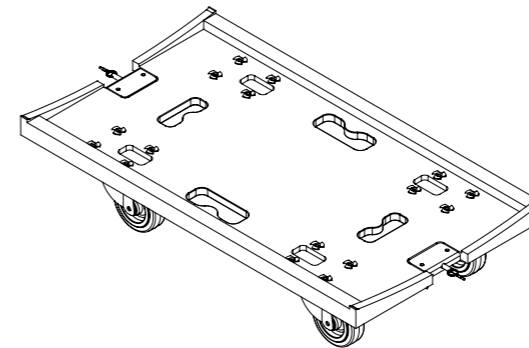
TALBX15
Coupling bar for physical attachment of adjacent ALIS15 enclosures



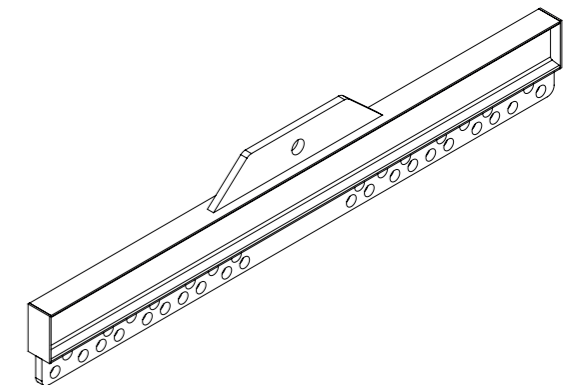
TSM-ALIS12
Stand adapter allows to ALIS12 to be mounted onto a 35mm (3/8") diameter pole



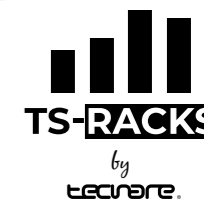
TWD-ALIS12
Front wooden transport dolly board for ALIS12. Polyurea coating and 4 x 100mm wheels



TWD-ALIS15
Front wooden transport dolly board for ALIS15. Polyurea coating and 4 x 100mm wheels



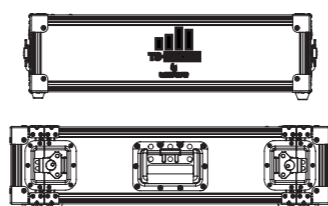
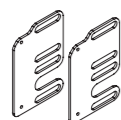
TecB004
Load Spreader Bar. Suspends two THV-ALIS12 or THV-ALIS15 pickup plates from a single point. May also be used to suspend AMS12/AMS15 from a single point



The TS-RACKS is a rack-mount solution for quick connection and efficient distribution of AC power, audio signals, and networking connections.

We offer a diverse range of both modular racks and touring racks configured for all Tecnare product range as well as a different accessories. Consisting in a family of 3 different models,

T-SRack3, T-SRack6, T-SRack10, All the TS-Racks can be equipped with T Series amplifiers, featuring Dante™ audio networking functionality (optionally).



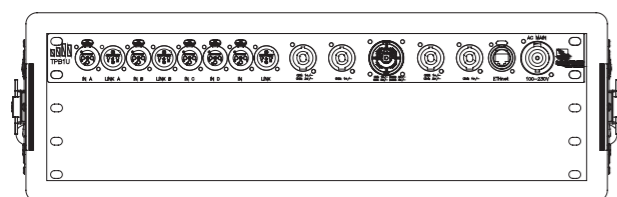
TSTK-TS Rear Support Kit
2u Rear Support kit for T-Series Amplifier

T-RACK3U
Modular 19"/3 HU Standard Pro-Rack

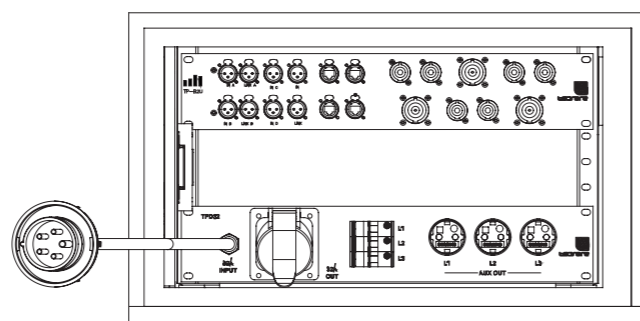
T-RACK6U
Modular 19"/6 HU, Pro-Rack Side Sliding door (Front and Rear). Made of black PVC

T-RACK10U
Modular 19"/10 HU, Pro-Rack Side Sliding door (Front and Rear). Made of black PVC

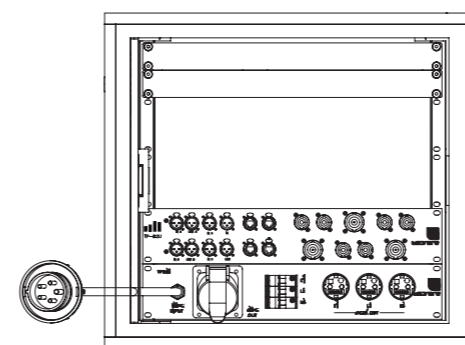
**T
S
-
R
A
C
K
S**



T-SRACK3
3HU Touring rack assembly, 1 x T-Rack3U, equipped with 1 x TPB1U Patchbay



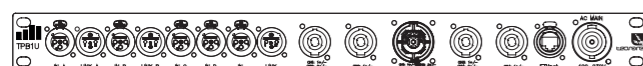
T-SRACK6
6HU Touring rack, 1 x T-Rack6U + 1 x TPB2U Patchbay, 1 x TPD32+1 x TP-Link® Switch



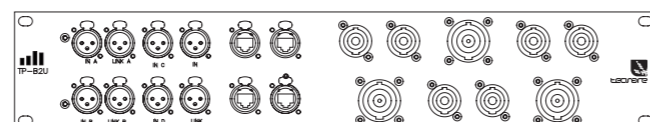
T-SRACK10
6HU Touring rack, 1 x T-Rack10U + 1 x TPB2U Patchbay, 1 x TPD32+1 x TP-Link® Switch



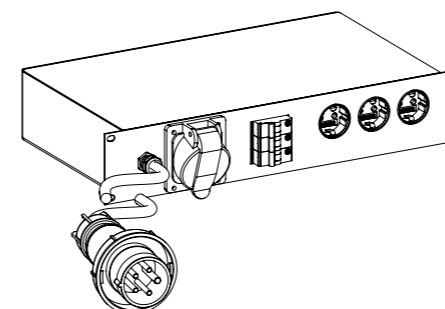
TRBP1
Blank panel 19"/1HU



TPB1U
19"/1HU connection panel 2 Analog In/link ports, 2 single Analog In port, one AES3 In/Link port, 1 x Ethernet port, 4 x SpeakOn® NL4 amp outputs and 1 x SpeakOn® NL8 Multi-Out and 1 x PowerCon® 32A



TPB2U
19"/2HU connection panel 2 Analog In/link port, one AES3 In/Link port, 1 x Ethernet port, 6 x SpeakOn® NL4 amp outputs and 3 x SpeakOn® NL8 Multi-Out



TPD32
Power Distributor.19"- 32A 3phase. 1 x CEE device sockets 32A. Protection via C16A circuit breakers. Control light per phase. 3 x Shuko connectors on the front/rear, 3 x PowerCon® 32



**S
P
E
A
K
E
R
C
A
B
L
E**



TCQ44-010
Loudspeaker cable 4 x 4mm² assembled with Neutrik NL4FC, length 1m



TCQ44-050
Loudspeaker cable 4 x 4mm² assembled with Neutrik NL4FC, length 5m



TCQ44-100
Loudspeaker cable 4 x 4mm² assembled with Neutrik NL4FC, length 10m



TCQ44-250
Loudspeaker cable 4 x 4mm² assembled with Neutrik NL4FC, length 25m



TCQ82-010
Loudspeaker cable 8 x 2,5mm² assembled with Neutrik NL8FC, length 1m



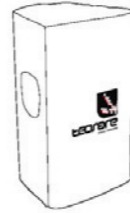
TYSP-NL4
Loudspeaker Y-Split set cable In NLT4MX, out 2 x NL4FC; cable 2 x 4mm² length 1m & 1,5m



TYSP-NL8
Loudspeaker Y-Split set cable In NLT8MX, out 4 x NL4FC; cable 2 x 2.5mm² length 1m, 1,5m, 2m, 2,5m



FUND-EXX
Protective cover for E-Series made of black polyester with inner foam



FUND-IXX
Protective cover for IBZA-Series made of black polyester with inner foam



FUND-VXX
Protective cover for V-Series made of black polyester with inner foam



FUND-V14CX
Protective cover for V14CX made of black polyester with inner foam



FUND-V14CX-PRO
Protective cover for V14CX made of HI-Resistancy Nylon with inner foam



FUND4-CLa208
Protective soft cover made of polyester with inner foam to cover 4 stacked CLa208 uts..



FUND3-CLa21
TProtective soft cover made of polyester with inner foam to cover 3 stacked CLa21 uts..



FUND4-CLa21
Protective soft cover made of polyester with inner foam to cover 4 stacked CLa21 uts..



FUND-118M
Protective soft cover made of black polyester with inner foam to cover one SW-118M



FUND3-118M
Protective soft cover made of black polyester with inner foam to cover 3 x SW-118M



FUND2-18VR
Protective soft cover made of black polyester with inner foam to cover 2 x SW-18VR



FUND3-18VR
Protective soft cover made of black polyester with inner foam to cover 3 x SW-18VR

**C
O
V
E
R
&
C
A
S
E**



COVER & CASE



FUND-218V
Protective soft cover made of black polyester with inner foam to cover one SW-218V



FUND-218EB
Protective soft cover made of black polyester with inner foam to cover one SW-218EB



FUND2-218EB
Protective soft cover made of black polyester with inner foam to cover 2 x SW-218EB



FUND3-218EB
Protective soft cover made of black polyester with inner foam to cover 3 x SW-218EB



FUND-221
Protective soft cover made of black polyester with inner foam to cover one SW-221



FUND-ALIS12
Protective soft cover made of black polyester with inner foam to cover one ALIS12



FUND-ALIS15
Protective soft cover made of black polyester with inner foam to cover one ALIS15



FC-V10
Flight-case for 2 x V10; 9mm birch multiplex, 4x100mm wheels, four big collapsible handles, 1 Label tour.



FC-V12
Flight-case for 2 x V12; 9mm birch multiplex, 4x100mm wheels, four big collapsible handles, 1 Label tour.



FC-V15
Flight-case for 2 x V10; 9mm birch multiplex, 4x100mm wheels, four big collapsible handles, 1 Label tour.



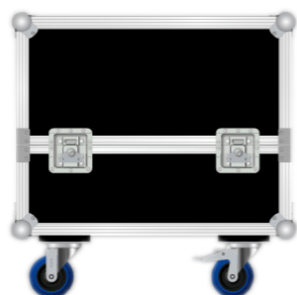
FC-V14CX-Pro
Flight-case for 2 x V14CX; PVC laminated 9mm birch multiplex, 4x100mm wheels, six big collapsible handles, 1 Label tour.



FC-CLa208
Flight-case for 4 x CLa208; PVC laminated 9mm birch multiplex, 4x100mm wheels, eight big collapsible handles, 1 Label tour



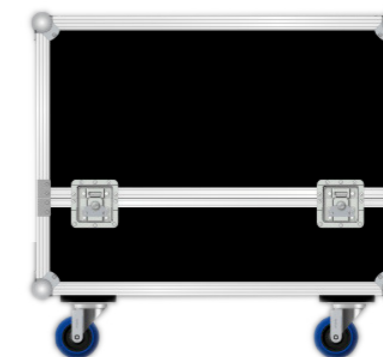
FC-CLa21
Flight-case for 4 x CLa21; PVC laminated 9mm birch multiplex, 4x100mm wheels, eight big collapsible handles, 1 Label tour



FC-miniTHV208
Flight-case for 2 x miniTHV-208, PVC laminated 9mm birch multiplex, 4x100mm wheels, six medium collapsible handles, 1 Label tour



FC-THV208
Flight-case for 2 x THV-208, PVC laminated 9mm birch multiplex, 4x100mm wheels, six medium collapsible handles, 1 Label tour



FC-miniTHV21
Flight-case for 2 x miniTHV-21, PVC laminated 9mm birch multiplex, 4x100mm wheels, six medium collapsible handles, 1 Label tour



FC-THV21
Flight-case for 2 x THV-21, PVC laminated 9mm birch multiplex, 4x100mm wheels, six medium collapsible handles, 1 Label tour

**C
O
V
E
R
&
C
A
S
E**



This document and the data information disclosed in this document are the exclusive property of Exel Acoustics SL. Reproduction, copying, disclosure or use of this document data and information without written permission of Exel Acoustics SL is prohibited. This document is protected as an unpublished work under Europe and International copyright law. All rights reserved. This is a presentation document only and as such is not to be used for construction or installation purposes until field conditions and other factors are accounted for.

This document contains trademarks and service marks of Exel Acoustics SL and may contain the trademarks or service marks of third parties. All third-party trademarks are the property of their respective owners. TECNARE SOUND SYSTEMS and the Tecnare logo are trademarks of Exel Acoustics SL.

This Guideline herein supersedes all those previously issued. Specifications and design are subject to change without notice.

Due to colour reproduction in printing, the product color may differ from the guide line.

All Tecnare accessories are painted with black and are available in custom color under previous order. *Consult additional cost.*

Download the different Rigging manuals of each product from Tecnare's website for rigging details; <http://www.tecnare.com>

[BACK TO TOP](#)

Los productos de esta guía están sujetos a cambios sin previo aviso.
Esta guía reemplaza a las anteriores.

*Specifications and design are subject to change without prior notice.
This Guideline supersedes all previous Guidelines before the effective date.*

Agosto 2019 / August 2019

C/ Encinar, 282 - Pol. Ind. Monte Boyal 45950 Casarubios del Monte (Toledo) SPAIN
PHONE: (+34)918 170 110 - (+34) 918 171 001, FAX: (+34) 918 183 053
email:support@tecnare.com



www.facebook.com/tecnare



@tecnare



tecnare
SOUND SYSTEMS

tecnare.com

© 2019 Exel Acoustics SL. All right reserved.